

Selenio 6800+™ Frame

2RU Frame, Q-SEE™-Compliant

The Selenio 6800+™ 2RU Frame (FR6822+QXFE), featuring an integrated Ethernet resource card, is the next-generation platform in the best-selling Selenio 6800+ modular core processing series. This frame is designed to offer broadcast facilities advanced baseline communication and control of their networks via a built-in Web server.

The FR6822+QXFE frames are capable of housing any mix of signal types, including 3G\HD\SD-SDI, DVB-ASI, single- and multimode fiber optics, AES/EBU (balanced and unbalanced), analog video and analog audio. There are 20 slots for single- or multi-slot modules, with mating back connectors providing superior density of up to 20 modules in a single 2RU frame.

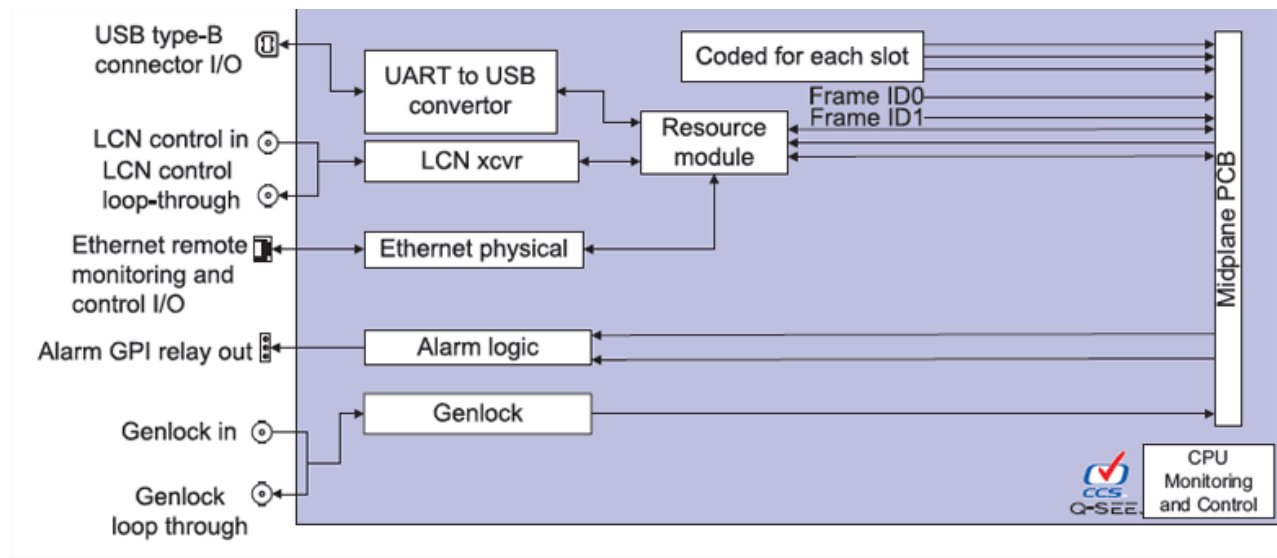
Product Features

- Direct Ethernet connectivity (10/100Base-T) to the frame, allowing reduced slot space and device control by SNMP third-party, HTTP Web browser and CCS™ applications
- Module communication via an internal high-speed data bus for thumbnail and enhanced alarm monitoring on Q-SEE™-compliant modules
- Capacity to hold up to 20 single-slot modules or equivalent, in any combination of module types
- Support for a wide array of input/output types, including analog video and audio, 3G\HD\SD\ASI-SDI, AES audio (balanced and unbalanced), fiber optics, Ethernet, serial data and RF
- Hot-swappable front and back modules with front access
- Backward-compatibility with all modules that operate on Selenio 6800+ QXF, XF and DM frames
- Light weight for outside broadcast applications
- Full Q-SEE support, including thumbnails, customizable alarms, waveform and vectorscope monitoring, and MPEG-4 streaming, for up to eight external inputs via the QSEE6800+HST module
- Frame video genlock loop, high-performance passive loop-through
- Support for two hot-swappable, redundant power supplies, each independently able to handle the complete frame power load (120 W); AC and DC power supplies can be mixed within one frame
- Integral fan cooling with front-to-back primary airflow designed to support full load at 122° F (50° C) ambient, with no thermal stacking limitations
- A variety of control methods to suit every operational environment: card-edge, CCS Navigator (PC-based control over Ethernet), HTTP Web browser, or third-party control systems via published SNMP MIBs for Selenio 6800+ modules



Images/Diagrams

Block Diagram



Specifications

Specifications and designs are subject to change without notice

FR6822+QXFE Frame	
Dimensions (H x W x D)	3.5 x 19 x 11.5 in. (8.8 x 48.3 x 29.2 cm)
Weight	9 lbs (4.08 kg) empty 12 lbs (5.44 kg) with two power supplies
6822+AC Power Supply	
Dimensions (H x W x D)	3.35 x 1.45 x 11.25 in. (8.51 x 3.68 x 28.58 cm)
Weight	1.9 lbs (0.85 kg)
Minimum Load	No load
Temperature Range	32° to 113° F (0° to 45°C)
Input Voltage	100 to 250 VAC (±10%)
Frequency	47 to 63 Hz
Input Current	2 ARMS maximum at 90 VAC, 120 W output power 0.75 ARMS maximum at 274 VAC, 120 W output power
Inrush Current (maximum peak)	25 A
Output Power	130 W (including fans)
EMC	Compliant with FCC part 15 class A, EN 55103-1 and EN 55103-2
Safety	Meets UL 60950, CAN/CSA 22.2 No. 60950 and EN 60950

6800+48V Power Supply	
Dimensions (H x W x D)	3.35 x 1.45 x 11.25 in. (8.51 x 3.68 x 28.58 cm)
Weight	1.9 lbs (0.85 kg)
Operating Temperature Range	32° to 113° F (0° to 45° C) at full rated output
Inputs	-36 to -72 V DC
Output Power	130 W (including fans)
Protection	Inrush current limiting Input transient protection Short-circuit protection on all outputs Reverse input voltage protection Input fuse
EMC	Compliant with FCC part 15 class A, EN 55103-1 and EN 55103-2
Safety	Meets UL 60950, CAN/CSA 22.2 No. 60950 and EN 60950
Selenio 6800+ETH	
Power Dissipation	8.4 W
Ethernet	RJ45, 10/100 Mb/s
Connectors	75 ohms, shunt terminated

Ordering Information

Frames with AC PSU	
FR6822+QXFE	Frame, 2RU, Ethernet resource card including HTTP protocol for communication, no back, all blanks with fan (includes one 6822+AC power supply), Q-SEE compliant
FR6822+F	Frame, 2RU, no back, all blanks with fan (includes one 6822+AC power supply)
Frames with DC PSU	
FR6822+QXFE+48	Frame, 2RU, Ethernet resource card including HTTP protocol communication, no back, all blanks with fan (includes one 6800+48 VDC power supply), Q-SEE compliant
FR6822+QXFE+S48	Frame, 2RU, Ethernet resource card including HTTP and SNMP protocols for communication, no back, all blanks with fan (includes one 6800+48 VDC power supply), Q-SEE compliant
FR6822+F+48	Frame, 2RU, no back, all blanks with fan (includes one 6800+48 V DC power supply)
Options	
6800+ETH	Ethernet resource card for FR6822+F, CCS-compliant
6800+ETHSNMP	6800+ETH module with SNMP option enabled
6800+OPT+SNMP	Software license-key upgrade to existing 6800+ETH to provide SNMP support
6822+AC	AC power supply for FR6822+ series frames
6800+48V	48 VDC power supply for FR6822+ series frames
FR6822+RM	Rear support extension rail for 6800+ series frame
Note: All FR6822+QXFE frames come equipped with a single power supply (ordered as either AC or 48 V DC) and an Ethernet resource card with an HTTP web server. The HTTP Web server allows any standard Web browser access directly to the frame for configuration and control.	